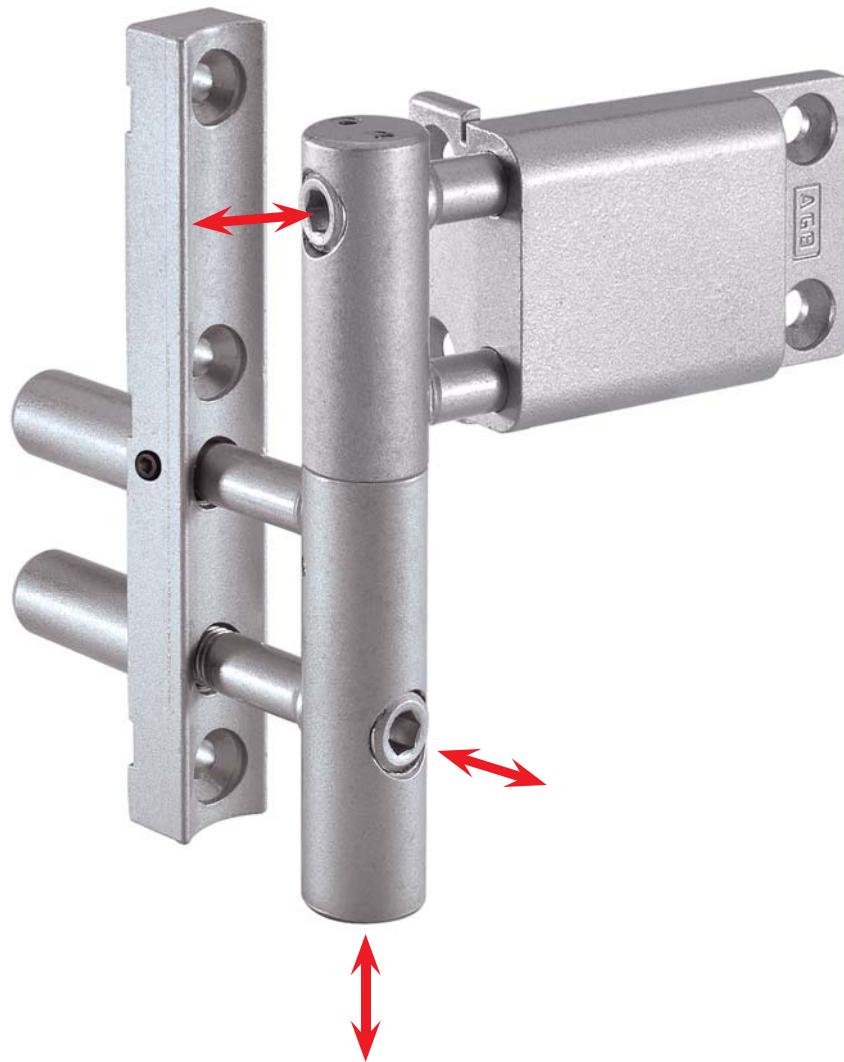


# Cartesio

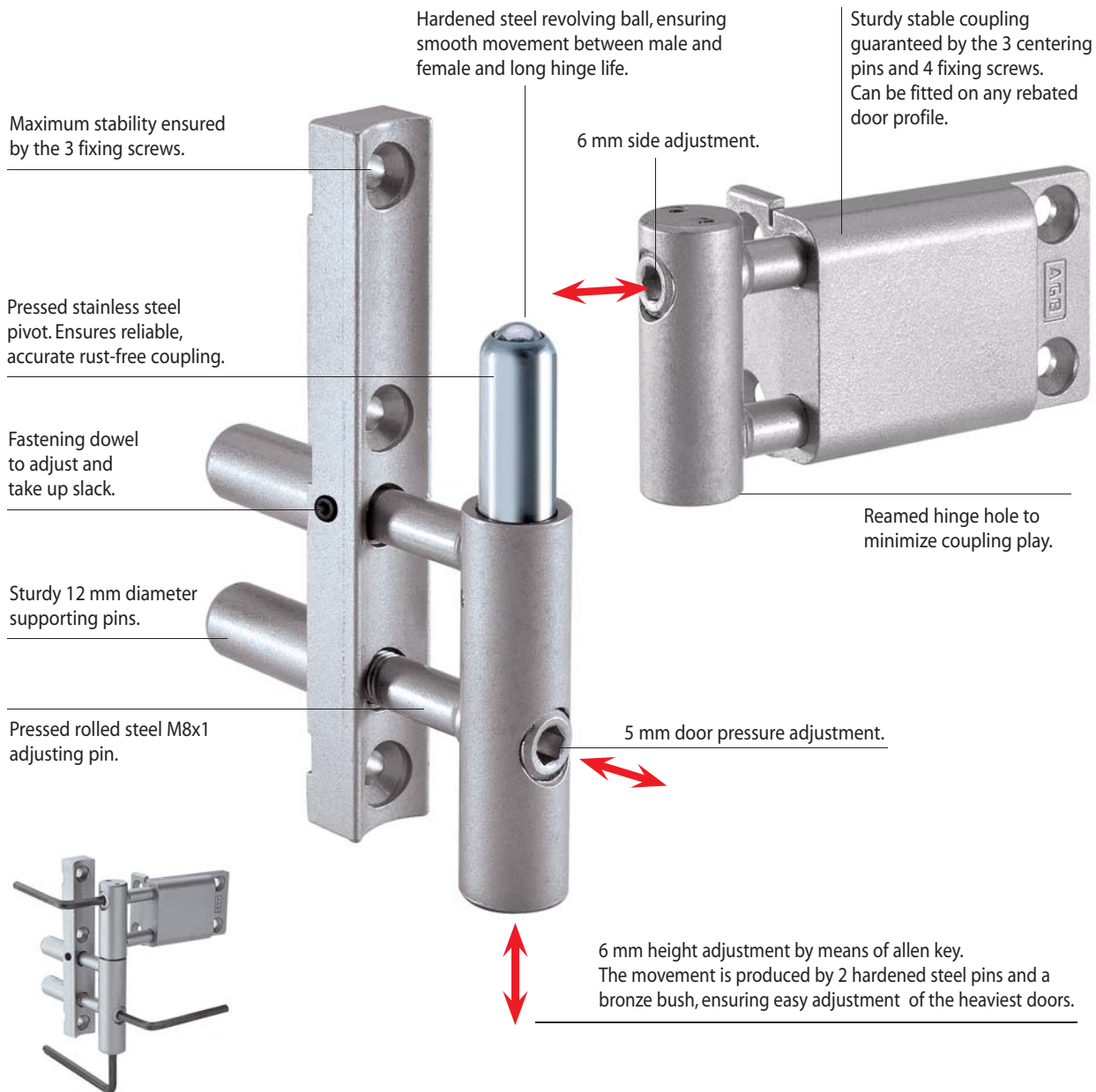
Adjustable steel hinge for PVC profiles



- Hinge body  $\varnothing$  16 mm made of pressed steel
- Pivot with revolving ball ensuring smooth movement
- Adjustable on 3 axis
- Great loading capacity thanks to 12 mm pins



# CARTESIO - Adjustable steel hinge for PVC profiles



ABS covers available.  
Jigs that can be adapted to all profiles are available for quick accurate hinge fitting.

